



## Quick Installation Guide

16/24-Port Gigabit Ethernet Switch  
TEG1016D/TEG1024D

### Package contents

- Switch x 1
- Footpad x 4
- L-shaped bracket x 2
- Power cord x 1
- Screw (Diameter: 3 mm, Length: 8 mm) x 8
- Quick installation guide x 1

TEG1016D is used for illustrations here unless otherwise specified. The actual product prevails.

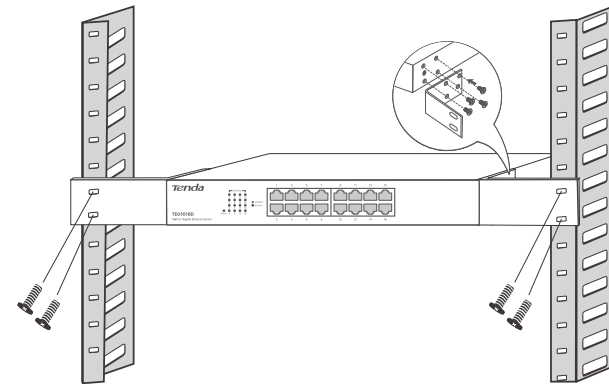
## Install the device

### ■ Preparations

- Rack mounting: ESD bracelet or gloves, screwdriver, 4 screws (suitable for securing the switch to the rack)
- Desktop mounting: ESD bracelet or gloves
- Wall mounting: ESD bracelet or gloves, screwdriver, spirit level, marker, hammer drill, rubber hammer, ladder, 4 screws (self-prepared, length: 25 mm, head diameter: 10 mm), expansion bolts (self-prepared, length: 40 mm).

### ■ Rack mounting (to a standard 19-inch rack)

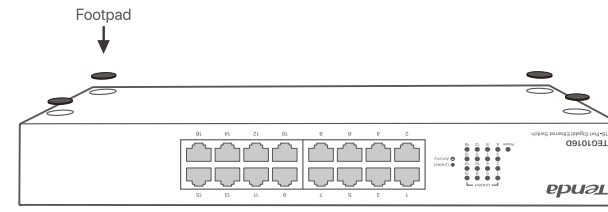
1. Ensure that the rack is stable, level and properly grounded.
2. Fix the two L-shaped brackets to both sides of the switch with the included screws.
3. Choose a proper height and fix the L-shaped brackets to the rack with screws (self-prepared). Ensure that the switch is stable on the rack.



Example: TEG1016D

### ■ Desktop mounting

Paste the four footpads to the four recesses on the bottom of the switch. Then turn the switch upside down, and place it horizontally on a big enough, clean, stable and flat desktop.



Example: TEG1016D

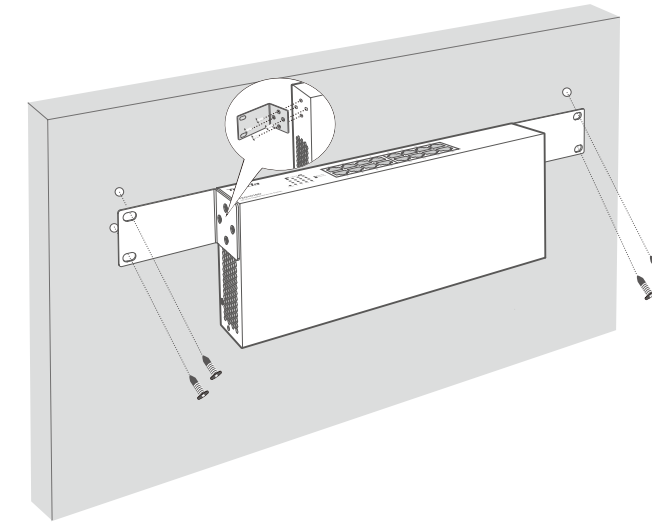
### ■ Wall mounting

#### ✍ Note

- The switch can only be installed on non-flammable walls, such as a concrete wall.
- Do **NOT** install the switch with air vents facing downward; otherwise, there will be potential safety hazards.

1. Fix the two L-shaped brackets to both sides of the switch with the included screws.
2. Place the switch horizontally onto the wall with its RJ45 ports facing upward, and then mark the screw holes on the wall with a marker.
3. Drill holes in the marked positions, and then hammer the expansion bolts (self-prepared, length: 40 mm) into the holes.

4. Insert the screws (self-prepared, length: 25 mm, head diameter: 10 mm) through the holes of the two L-shaped brackets, and secure the screws into the expansion bolts with a screwdriver. Ensure that the switch is installed firmly with its RJ45 ports facing upward.



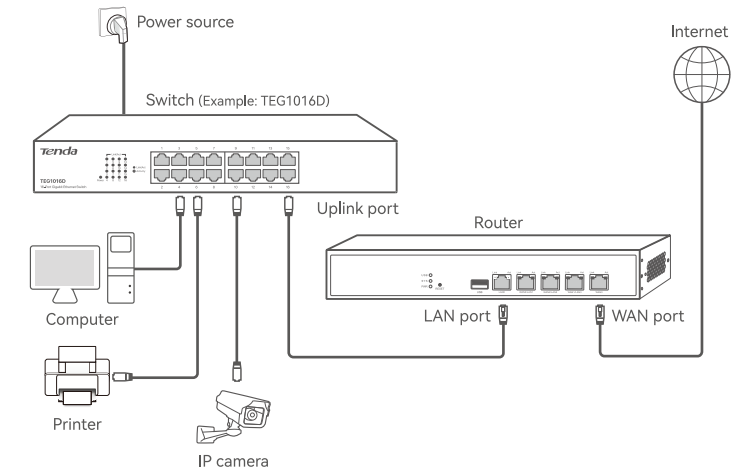
Example: TEG1016D

## Typical network topologies

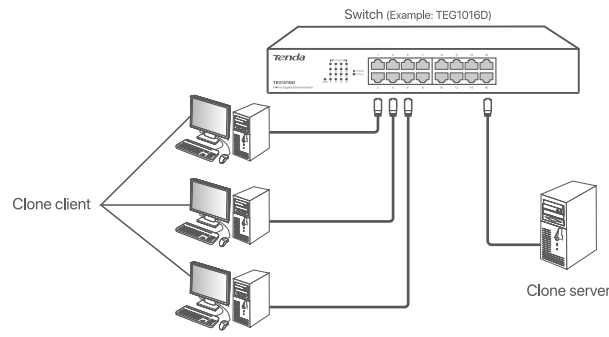
#### ☀ Tips:

The switch supports auto MDI/MDIX. You can use either a straight-through cable or a crossover cable to connect the switch to Ethernet devices.

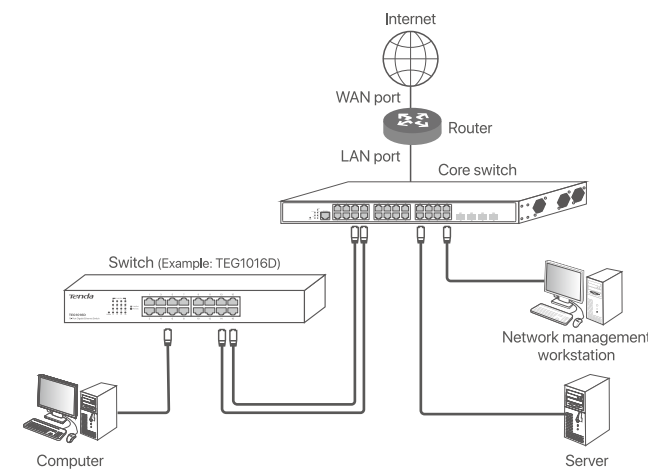
### ■ Standard mode (default)



### ■ Network clone mode



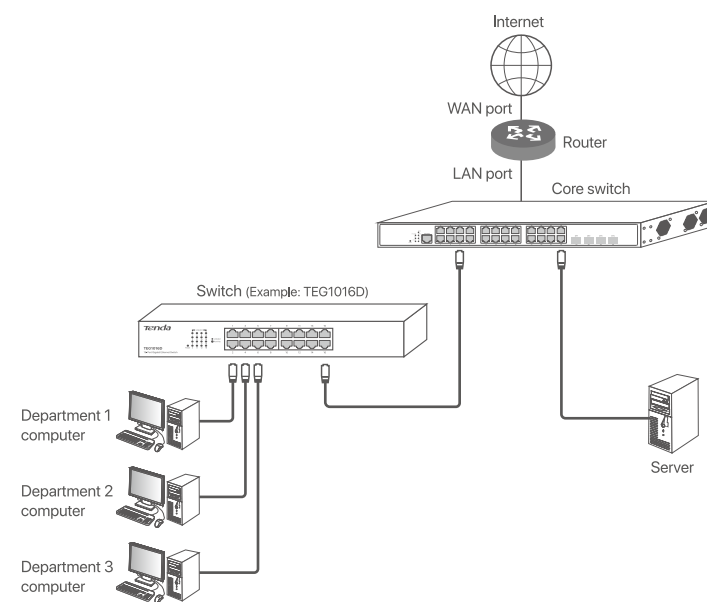
### ■ Aggregation uplink mode



#### ✍ Note

When the switch works in aggregation uplink mode, the peer device port of the Uplink port also needs to support the aggregation function. Otherwise, a loop can be caused.

### ■ VLAN mode



## LED indicators

LED indicator	Status	Description
Power	Solid on	Powered on
	Off	Powered off or powered improperly
Link/Act	Solid on	Connected but not active
	Blinking	Data transmitting
	Off	Not connected or connected improperly

## Get support and services

For technical specifications, user guides and more information, please visit the product page or service page on [www.tendacn.com](http://www.tendacn.com). Multiple languages are available.

You can see the product name and model on the product label.



<https://www.tendacn.com/service/default.html>

### FAQ

#### Q1: The Power LED indicator does not light up. What should I do?

- Ensure that the power cord is connected to the switch and the power jack properly.
- Ensure that the switch is powered on.
- Ensure that the input voltage matches the value required by the switch.

#### Q2: The Link/Act LED indicator of the switch is off. What should I do?

- Ensure that the Ethernet cable between the switch and the attached device is connected properly, and the length of the Ethernet cable is within standard length 100m.
- Ensure that the switch is powered on.
- Ensure the connected device is powered on and working properly.



This product bears the selective sorting symbol for Waste electrical and electronic equipment (WEEE). This means that this product must be handled pursuant to European directive 2012/19/EU in order to be recycled or dismantled to minimize its impact on the environment.

User has the choice to give his product to a competent recycling organization or to the retailer when he buys a new electrical or electronic equipment.

### Safety precautions

Before performing an operation, read the operation instructions and precautions to be taken, and follow them to prevent accidents. The warning and danger items in other documents do not cover all the safety precautions that must be followed. They are only supplementary information. The installation and maintenance personnel need to understand the basic safety precautions to be taken.

- For desktop mounting, the device must be horizontally mounted for safe use.
- For wall or rack mounting, the device is only suitable for mounting at heights ≤ 2m.
- Operating environment: Temperature: 0 C - 45 C; Humidity: (10% - 90%) RH, non-condensing; Storage environment: Temperature: -40 C - 70 C; Humidity: (5% - 90%) RH, non-condensing.
- Clean only with dry cloth.
- Do not block any ventilation openings, such as newspapers, table-cloth, curtains.
- Do not install near any heat sources such as radiators, heat registers, stoves or other apparatus that produce heat.
- Do not damage the ground conductor or operate the device in the absence of well installed ground conductor. Conduct the appropriate electrical inspection. Refer to the Lightning Protection Guide at the official website for instructions.
- Protect the power cord from being walked on or pinched particularly at the plugs, convenience receptacles and at the point where they exit from the device.
- Only use attachments/accessories specified by the manufacturer.
- Unplug this apparatus during lightning storms or when unused for long periods of time.
- The mains plug is used as the disconnect device and shall remain readily operable.
- Refer all servicing to qualified service personnel. Servicing is required when the apparatus has been damaged in any way, such as power-supply cord or plug is damaged, liquid has been spilled or objects have fallen into the apparatus, the apparatus has been exposed to rain or moisture, does not operate normally, or has been dropped.
- Warning: To reduce the risk of fire or electric shock, do not expose this apparatus to rain or moisture. The apparatus shall not be exposed to dripping or splashing.
- Warning: To reduce the risk of electric shock, do not remove cover as there no user-serviceable parts inside. Refer servicing to qualified personnel.

### Declaration of Conformity

Hereby, SHENZHEN TENDA TECHNOLOGY CO., LTD. declares that the device is in compliance with directives 2014/35/EU and 2014/30/EU.

The full text of the EU declaration of conformity is available at the following internet address:

<https://www.tendacn.com/download/list-9.html>

### FCC Statement



This equipment has been tested and found to comply with the limits for a Class A digital device, pursuant to Part 15 of the FCC Rules. These limits are designed to provide reasonable protection against harmful interference when the equipment is operated in a commercial environment. This equipment generates, uses, and can radiate radio frequency energy and, if not installed and used in accordance with the instruction manual, may cause harmful interference to radio communications. Operation of this equipment in a residential area is likely to cause harmful interference in which case the user will be required to correct the interference at his own expense.

Operation is subject to the following two conditions: (1) this device may not cause harmful interference, and (2) this device must accept any interference received, including interference that may cause undesired operation.

#### Caution!

Any changes or modifications not expressly approved by the party responsible for compliance could void the user's authority to operate the equipment.

**NOTE:** (1) The manufacturer is not responsible for any radio or TV interference caused by unauthorized modifications to this equipment. (2) To avoid unnecessary radiation interference, it is recommended to use a shielded RJ45 cable.

### CE Mark Warning

This is a Class A product. In a domestic environment, this product may cause radio interference, in which case the user may be required to take adequate measures.

**NOTE:** (1) The manufacturer is not responsible for any radio or TV interference caused by unauthorized modifications to this equipment. (2) To avoid unnecessary radiation interference, it is recommended to use a shielded RJ45 cable.

### Technical Support

Shenzhen Tenda Technology Co., Ltd.  
Floor 6-8, Tower E3, No.1001, Zhongshanyuan Road, Nanshan District, Shenzhen, China. 518052

Website: [www.tendacn.com](http://www.tendacn.com)  
E-mail: [support@tenda.com.cn](mailto:support@tenda.com.cn) [support.us@tenda.cn](mailto:support.us@tenda.cn) (North America)

### Copyright

© 2023 Shenzhen Tenda Technology Co., Ltd. All rights reserved.  
Tenda is a registered trademark legally held by Shenzhen Tenda Technology Co., Ltd.  
Other brand and product names mentioned herein are trademarks or registered trademarks of their respective holders. Specifications are subject to change without notice.  
V1.0 Keep for future reference.